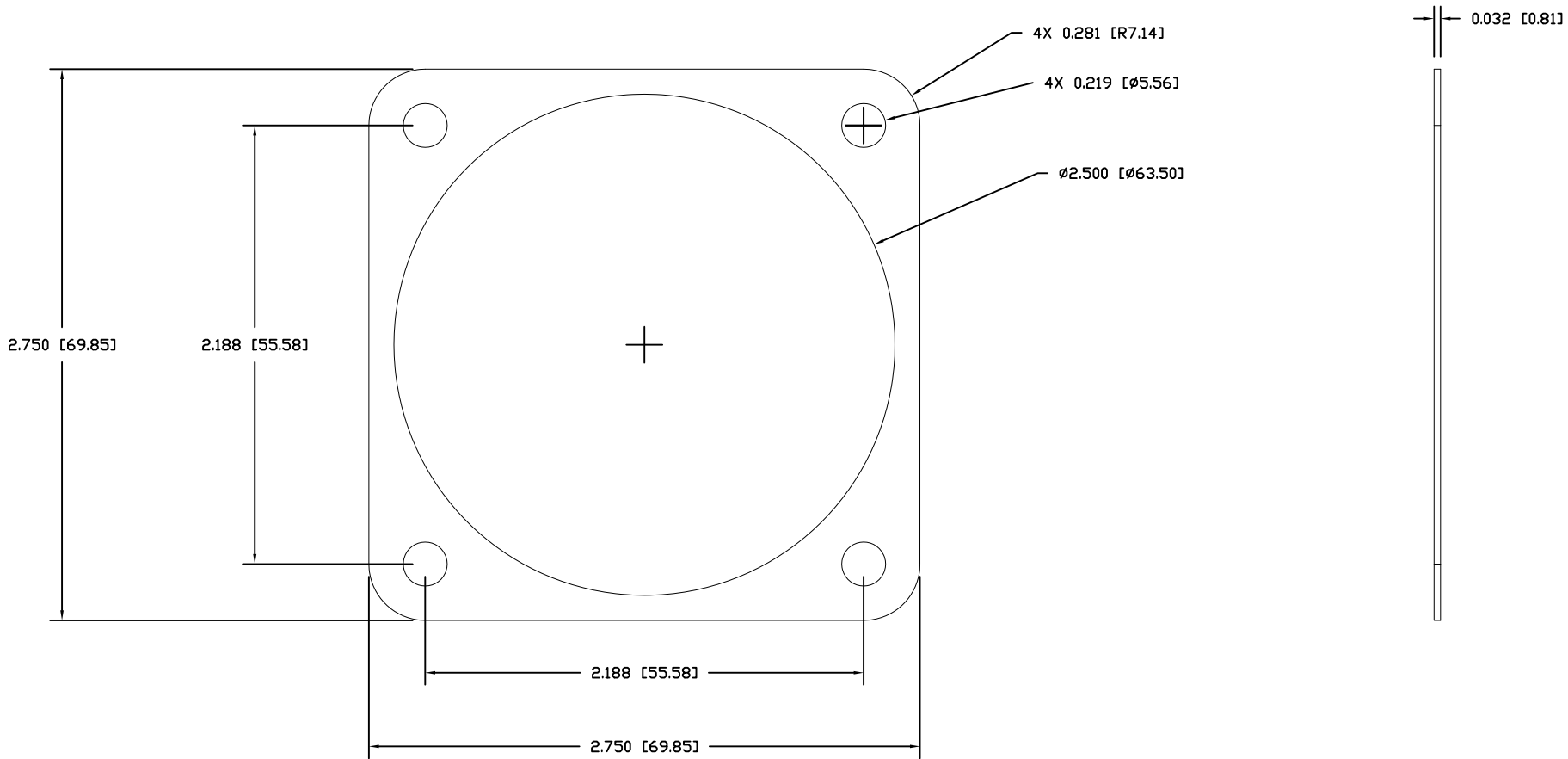





REVISIONS				
ZONE	REV	DESCRIPTION	DATE	APPROVED



Tolerances: Hole to Hole Centerline : +/- 0.010" Center Hole Diameter : + 0.020" / -0.0" Overall outside : +/- 0.015" Mounting Hole Diameter : +/- 0.010"	DRAWN	DATE	 252 Brighton Road, Andover NJ 07821 PH: 973-786-5000 FAX: 973-786-5546				
	S.ACKERMAN	2Q2015					
	CHECKED		CONNECTOR GASKET				
QA							
	MFG		SIZE	CAGE	DWG NO.	REV	
	APPROVED		A	27565	M83528/004X032	F	
			SCALE			SHEET	1 OF 1

