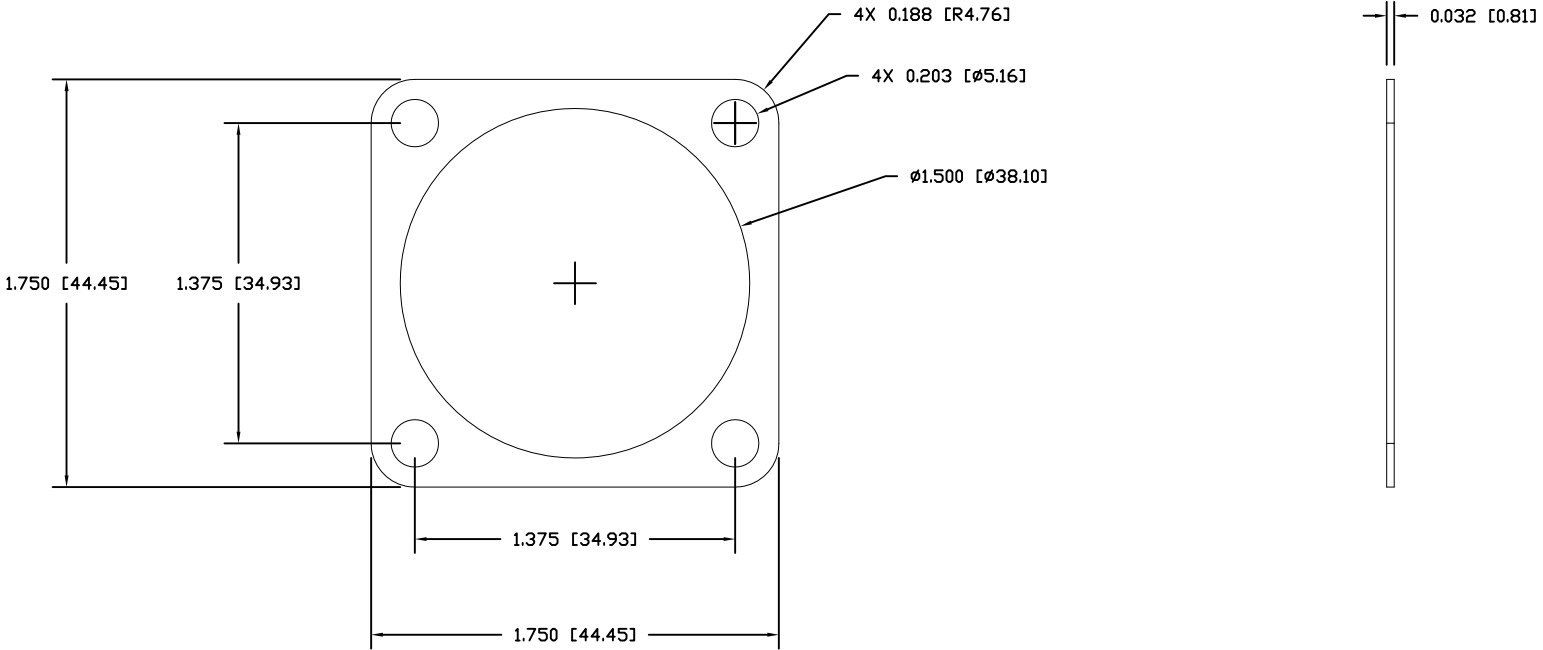




REVISIONS

ZONE	REV	DESCRIPTION	DATE	APPROVED
------	-----	-------------	------	----------



Tolerances:  
 Hole to Hole Centerline : +/- 0.010"  
 Center Hole Diameter : + 0.020" / -0.0"  
 Overall outside : +/- 0.015"  
 Mounting Hole Diameter : +/- 0.010"

DRAWN <b>S.ACKERMAN</b>	DATE <b>2Q2015</b>
CHECKED	
QA	
MFG	
APPROVED	



252 Brighton Road, Andover NJ 07821  
 PH: 973-786-5000 FAX: 973-786-5546

### CONNECTOR GASKET

SIZE <b>A</b>	CAGE <b>27565</b>	DWG NO. <b>M83528/004X027</b>	REV <b>F</b>
SCALE		SHEET <b>1 OF 1</b>	

