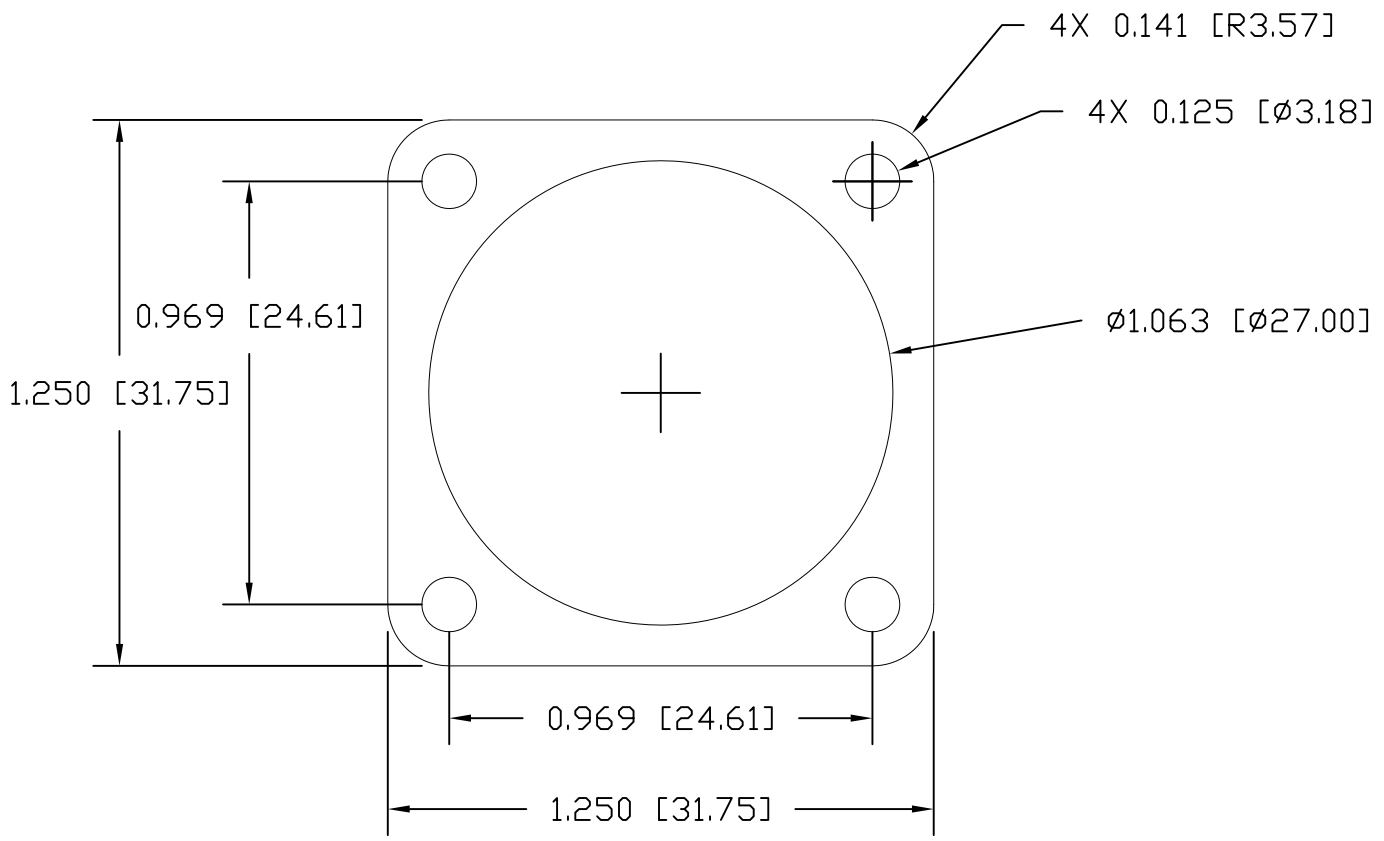




REVISIONS				
ZONE	REV	DESCRIPTION	DATE	APPROVED



0.032 [0.81]



<b>Tolerances:</b> Hole to Hole Centerline : +/- 0.010" Center Hole Diameter : + 0.020" / -0.0" Overall outside : +/- 0.015" Mounting Hole Diameter : +/- 0.010"	DRAWN	DATE
	S.ACKERMAN	2Q2015
	CHECKED	
	QA	
	MFG	
	APPROVED	



252 Brighton Road, Andover NJ 07821  
 PH: 973-786-5000 FAX: 973-786-5546

### CONNECTOR GASKET

SIZE	CAGE	DWG NO.	REV
<b>A</b>	27565	M83528/004X014	<b>F</b>
SCALE	SHEET		1 OF 1

