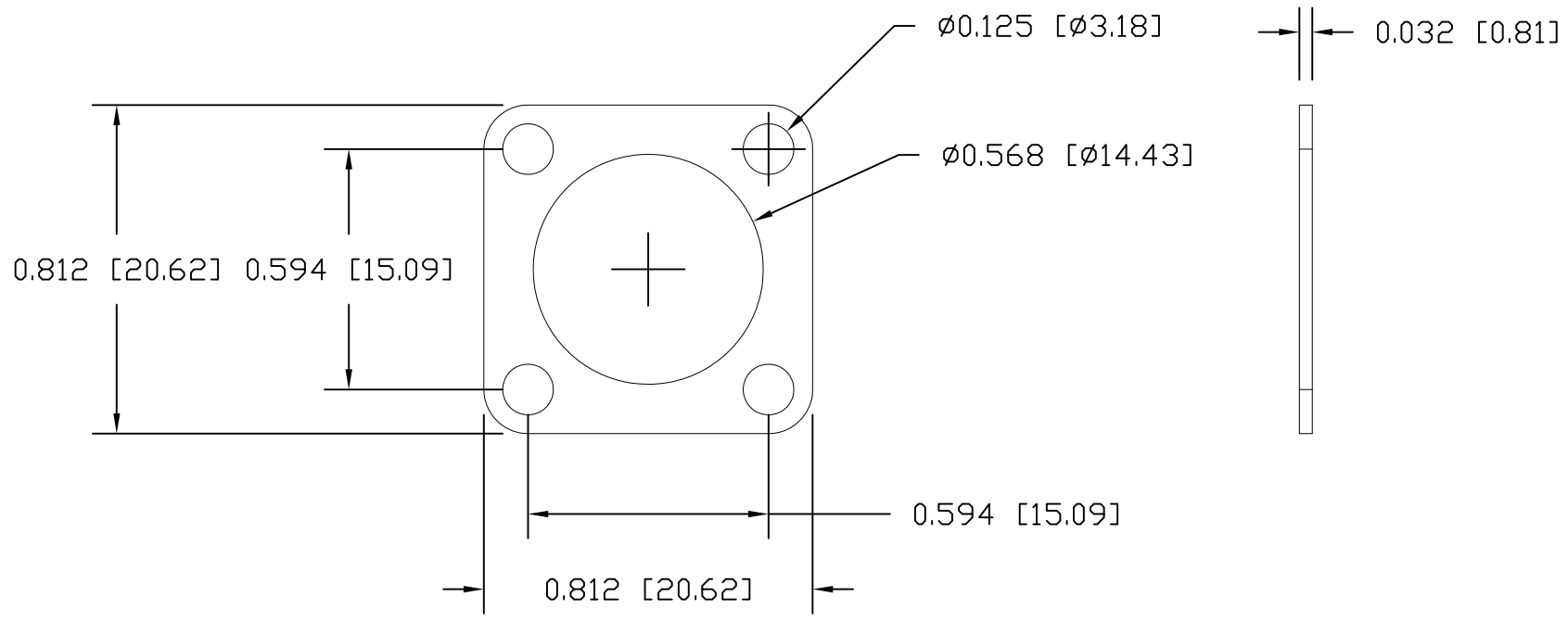





REVISIONS				
ZONE	REV	DESCRIPTION	DATE	APPROVED



Tolerances:
Hole to Hole Centerline : +/- 0.010"
Center Hole Diameter : + 0.020" / -0.0"
Overall outside : +/- 0.015"
Mounting Hole Diameter : +/- 0.010"

DRAWN S.ACKERMAN	DATE 2Q2015
CHECKED	
QA	
MFG	
APPROVED	



252 Brighton Road, Andover NJ 07821
PH: 973-786-5000 FAX: 973-786-5546

CONNECTOR GASKET

SIZE A	CAGE 27565	DWG NO. M83528/004X003	REV F
SCALE		SHEET 1 OF 1	

